

CARDALE

FIXING INSTRUCTIONS FOR SLIDEWAY SINGLE DOORS

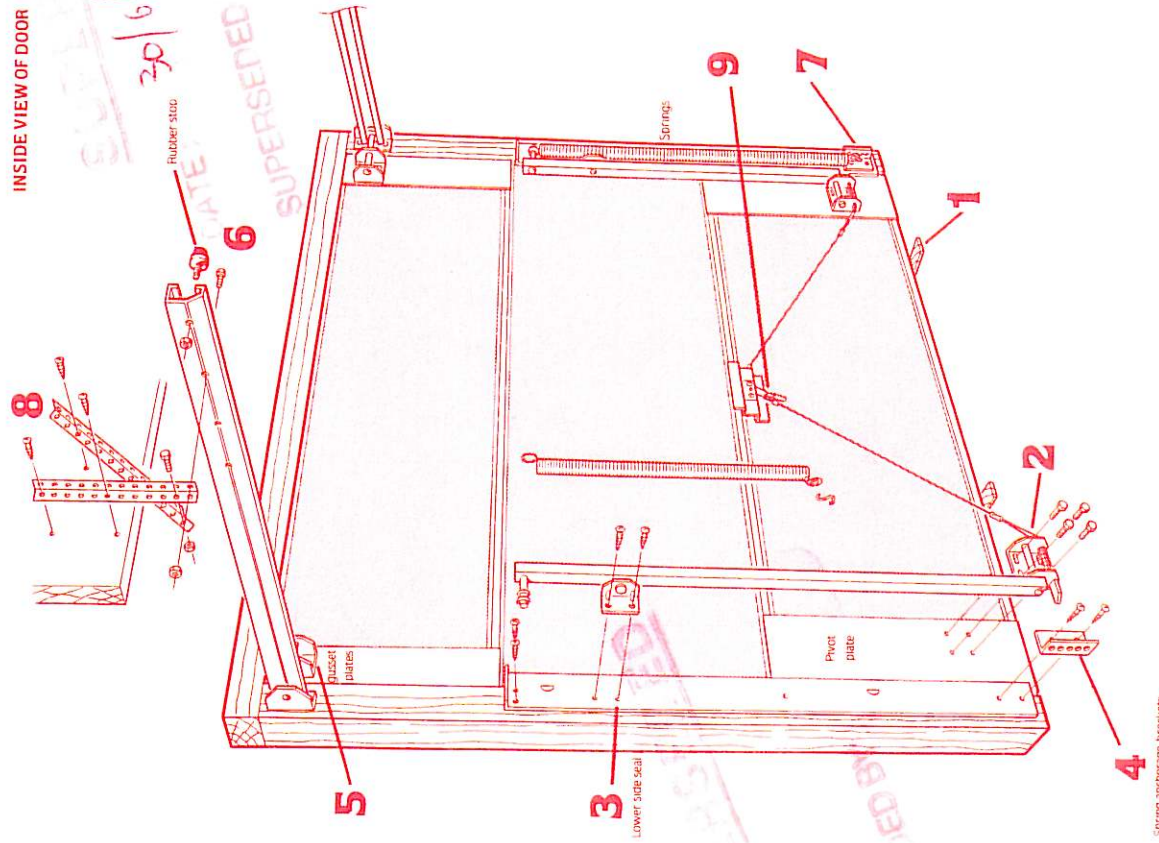
DPIN 0454

SUPERSEDED

30/6/85

SUPERSEDED BY (R)

INSIDE VIEW OF DOOR



Notes:

- i) Before fitting door, check size and squareness of timber frame. The door is made smaller to give correct clearance within the frame.
- ii) There must be a minimum of 51mm (2in) headroom above lower face of top timber or lintel and extend 5'6" (1981mm) back into the garage.
- iii) The "Coalpost" timber frame must be a minimum of 70 x 70mm (2 3/4" square) section.
- iv) All the initial fitting work is done from inside garage, so tools should be to hand there before door is placed in opening.

1

Stand door, safely propped, and centred between the timber frame. Check that the door is square and that the sides are equal and parallel. A gap of approx. 1/8" should be left along the top of the door.

2

Fit arms to pivot plates in bottom corners of door, using four no. 10 x 3/4" self-tapping screws. Slots in lower pivot bracket can be used for extra (See Fig 9).

3

Swing the pivot arm up, align 2 holes in each lower side seal with those in main pivot brackets and locate in two lugs against side of jamb securing the lower side seal in position with three 1" woodscrews. Drive the pivot holes and secure main pivot brackets with two 1 1/2" woodscrews.

4

Drive pivot holes and secure bottom spring anchorage brackets with two 1 1/2" woodscrews.

5

Fit wheel brackets to upper gusset plates with four No. 10 x 1 1/4" self tapping screws. Slip each track over its wheel and press firmly up and out in direction of arrow until it is flush with the rim of the pair holes in jamb and secure with two 1 1/2" woodscrews.

6

Fit rubber stops and hanger brackets to tracks using 6mm x 25mm bolts and locknuts. Tighten up the nuts, i.e. woodscrew to timber post, so that tracks hang vertically and are parallel to each other. They should be able to swing sideways.

7

Prop the door fully open. Fit hanger brackets to upper gusset plates equally each side and locate ends of springs over hooks. Adjust spring tension by using of most suitable hole in spring anchor bracket.

8

With the door still open the tracks will then be visible. Fit cross braces to hanger brackets (one 4" bolt with nut for each) and secure to timber with one woodscrew each. Lock hanger brackets in position with a second woodscrew each.

9

Remove the prop and lower door until heel is flush with to outer face, and secure with 2 flat head bolts inserted from inner face. Snap looped ends of lock cables right hand side of door over cam lever. Adjust sliding door cam lever lock cables until end of striker is in suitable position to lock.

10

Lubricate all pivots and other moving parts.

Spring anchorage brackets