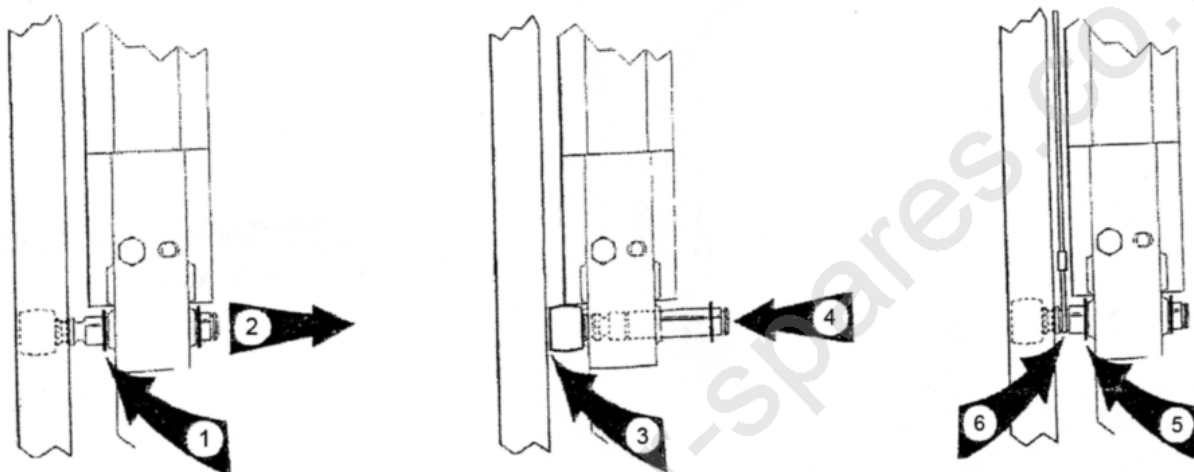


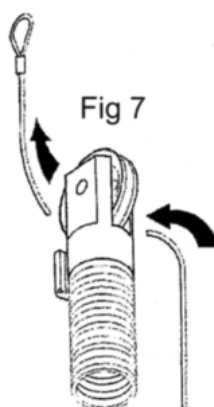
How to fit a new C-Type Spring Cable

GAR0015

- 1) Open the door approximately 6" and place a block under the door to keep open.
- 2) Remove the e-clip (1) and slide the roller spindle towards the centre of the door (2).
- 3) Thread the large loop of the cable over the plastic roller (3)



- 4) Slide the roller spindle back to its original position (4)
- 5) Refit the e-clip (5).
- 6) Ensure the cable is located into the grooved slot of the roller spindle (6).
- 7) Thread the opposite end of the cable through the spring assembly as depicted in fig. 7. Then locate the spring back into the plastic guide channel.



- 8) Slide the spring up the guide channel until you can attach the smaller loop to the S Hook at the top of the track.
- 9) Fit the cable around the pulley wheel on the top corner bracket. (Refer to opposite side of the door for location of cable).
- 10) Prop the door in the open position and refit the spring.

WARNING: Use gloves to protect your hands at all times during the above procedures.